

aerospace
climate control
electromechanical
filtration
fluid & gas handling
hydraulics
pneumatics
process control
sealing & shielding



Air Saver Unit

The power saving and CO₂ reduction products

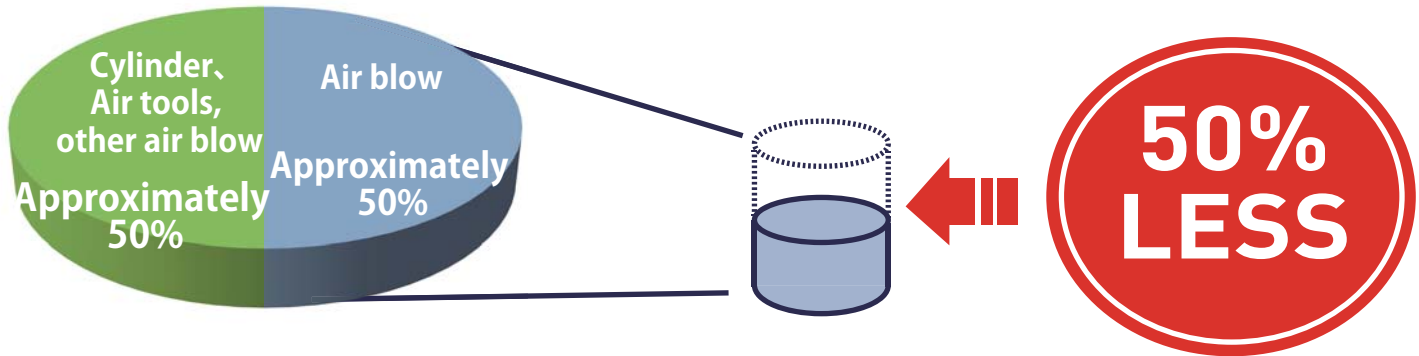


ENGINEERING YOUR SUCCESS.

An easy solution to your environmental protection efforts!
The air saving unit contributes to power savings and CO2 reduction.

Air Saver Unit ASC/ASV Series

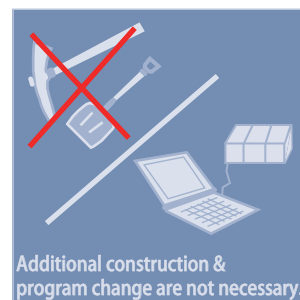
The Air Saver Unit can reduce air consumption by up to 50% and improves blow efficiency in air blow applications.



When an air saver unit is used, several positive effects can be expected.

Air blow accounts for almost 50% of all compressed air used in plants. The air saver unit with a switching valve technology for air blow. Can reduce air consumption by up to 50% !

- Large reductions in plant air consumption.
- Savings in plant compressor power consumption.
- Reduction in plant CO₂ emissions.
- Big contribution to energy-saving activities.



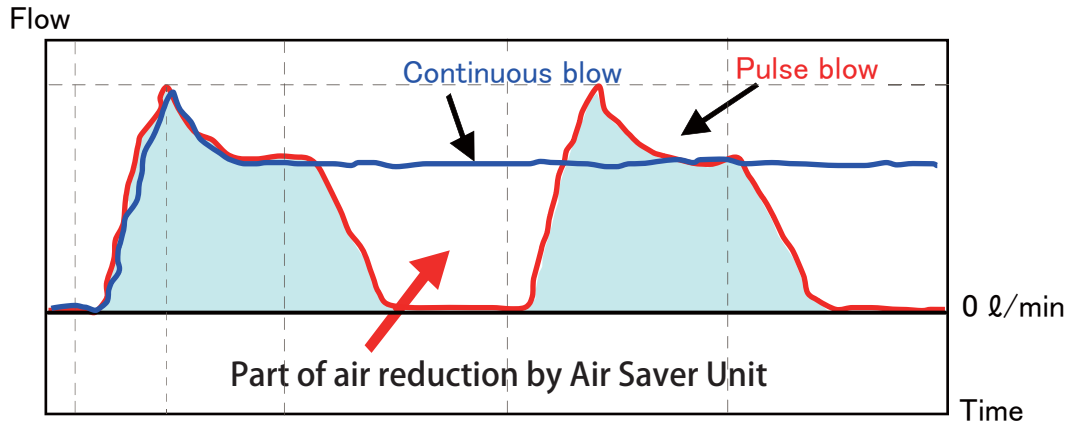
■ Savings example (Using 1 ASV5000, Unit 8 hours/day and 20 days)

Flow	4,888 NL/min	⇒	2,444 NL/min
CO ₂ discharge	14.8 t	⇒	7.4 t
Cost	USD 384/month	⇒	USD 192/month

Total air saver unit cost reduction per year = USD\$2,304

■ Pulsed air by Air Saver Unit reduces air consumption.

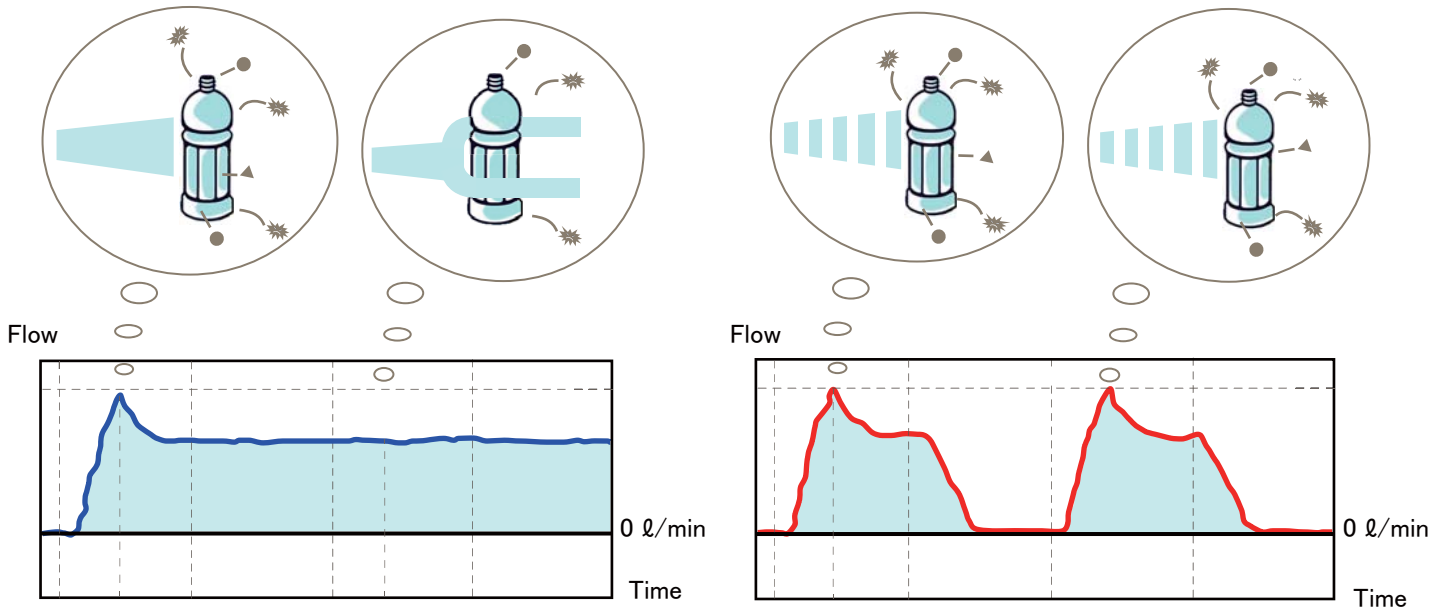
The Air saver unit is a valve that converts a continuous air blow to a pulsed air blow without the need for any other external control. Air is blown with a series of ON and OFF pulses. When the blow is OFF, there is no air consumption. This is how the air saver unit contributes to reduction in air consumption.



■ Air blow efficiency is improved.

Continuous air blow

Pulsed air blow

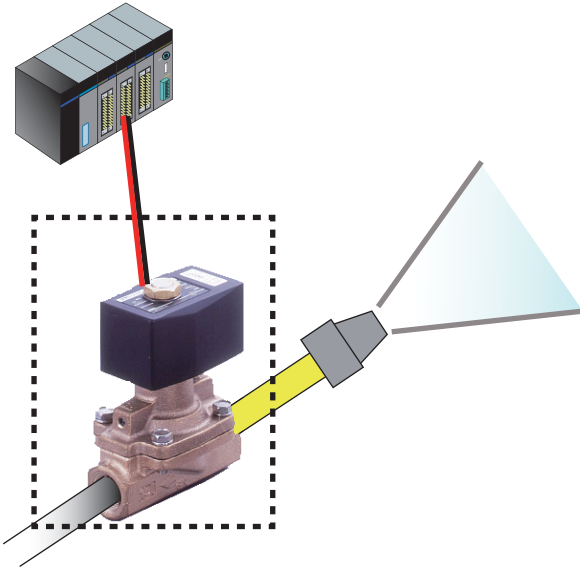


Compared to continuous air blow, the pulsed air blow hits the work repeatedly, improving the efficiency of the air blow.

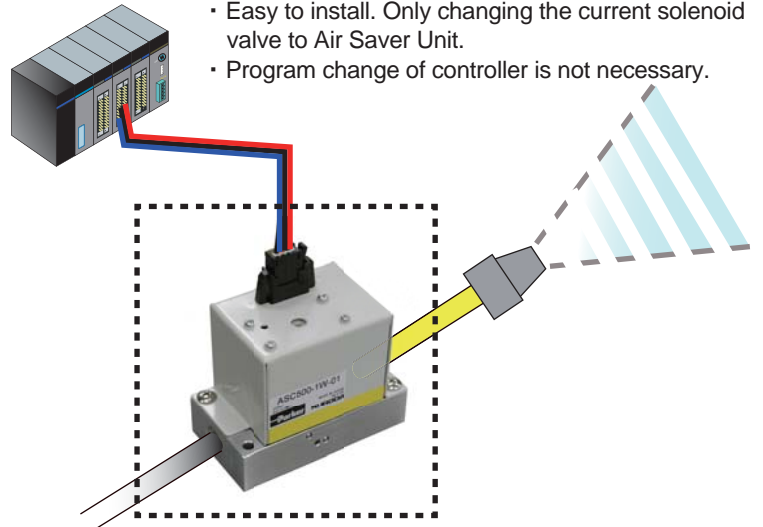
■ Installation is simple and reduction in air consumption can be realized immediately.

- When using a solenoid valve to control air blow, the air saver unit can replace this valve which will provide you immediate reduction in air consumption with no change to your PLC.

<Before introduction of the unit.>



<After introduction of the unit.>

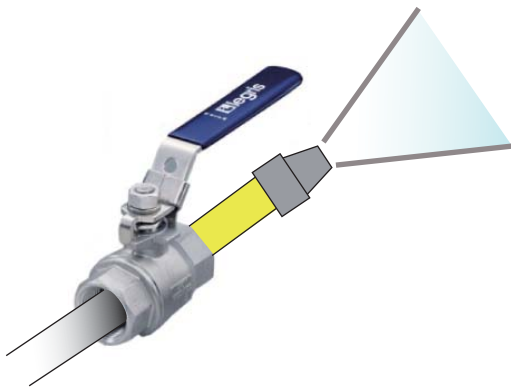


- Easy to install. Only changing the current solenoid valve to Air Saver Unit.
- Program change of controller is not necessary.

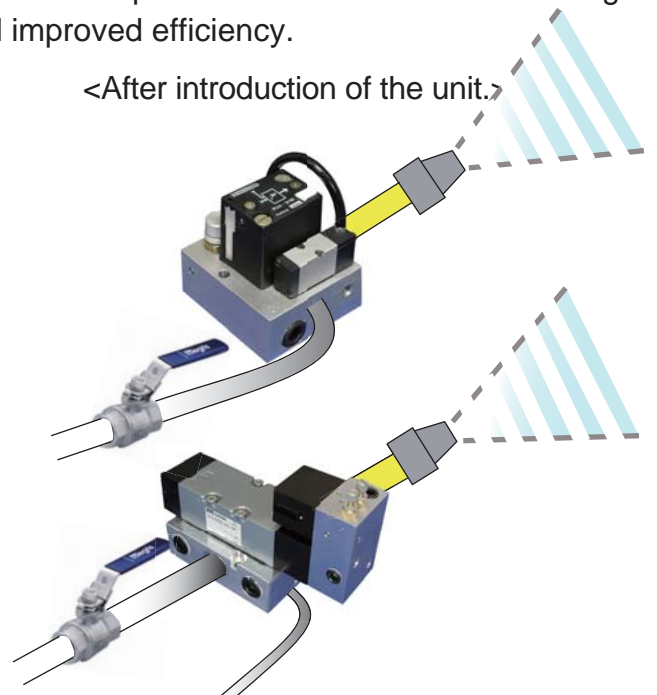
- When using manual valves such as ball valves...

ASV200, ASV500 & ASV2000 do not need electrical power. Installation of the unit brings immediate reduction in air consumption and improved efficiency.

<Before introduction of the unit.>



<After introduction of the unit.>



■ Realized the effect of the unit! Voice of customers.

[Company A] Food & beverage related manufacturer

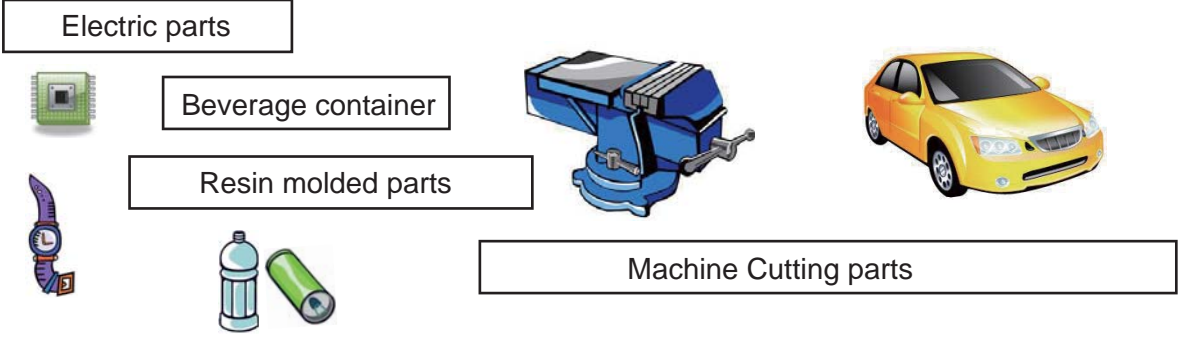
“When we tested ASV5000, we achieved about 55% reduction of our air consumption.

As air blow efficiency was improved, we planned to use more Air Saver Units for other areas in the plant.”

[Company B] Manufacturer for office document machines

“We are working on energy-saving activities. In those activities, we decided to use Air Saver Unit. We have more than 100 points of air blow, and we could reduce 42% of our air consumption by using this unit.”

■ Variations

Series	ASV200	ASC/ASO500	ASV2000	ASV5000	ASV13000	ASV15000
Flow(ℓ/min)	150	450	2000	5000	13000	15000
Port size	M5	Rc1/8	Rc3/8	Rc1/2	1" (25A)	1 1/4" (32A)
Target works	<div style="display: flex; justify-content: space-around; align-items: center;"> <div style="border: 1px solid black; padding: 5px; text-align: center;">Electric parts</div> <div style="border: 1px solid black; padding: 5px; text-align: center;">Beverage container</div> <div style="border: 1px solid black; padding: 5px; text-align: center;">Resin molded parts</div> <div style="border: 1px solid black; padding: 5px; text-align: center;">Machine Cutting parts</div> </div> 					
Application	Diselectrification, blowing dust, Handling assist, Blowing of cutting dust.					

■ Specifications

	Unit	ASV200	ASC500	ASO500	ASV2000	ASV5000	ASV13000	ASV15000
Function		Normally closed		Normally opened	Normally closed			
Fluid		Non-lubricated air						
Flow (at 0.5MPa)	ℓ/min(ANR)	150	450	450	2000	5000	13000	15000
Operating temperature	°C	-5 ~ 50 Note 1)						
Pressure range	MPa	0.3 ~ 0.8	0.2 ~ 0.7 <small>Note 2)</small>	0.2 ~ 0.5 <small>Note 2)</small>	0 ~ 0.8			
Pilot air supply	MPa	0.3 ~ 0.8	Internal pilot		0.3 ~ 0.8 Note 3)			
Blow		Pulse blow	Pulse/ Continuous blow		Pulse blow			
Port size (1,2)		M5	Rc1/8	Rc1/8	Rc3/8	Rc1/2	Rc1(25A)	Rc1 1/4(32A)
Rated voltage	V	<small>Power is not necessary</small>	DC24V		<small>Power is not necessary</small>			
Power consumption	W	-	1.2W		-			
Grade of Insulation		-	JIS grade E		-			
Permissible voltage fluctuation	%	-	±10		-			
Wiring		-	e-con standard 4 pole sockets <small>Note 4)</small>		-			

Note 1) In case of using the Unit under 5°C, complete dry air by air dryer shall be supplied to prevent from freezing.

Note 2) Please note that supply air for port 1 should be more than 0.2MPa.

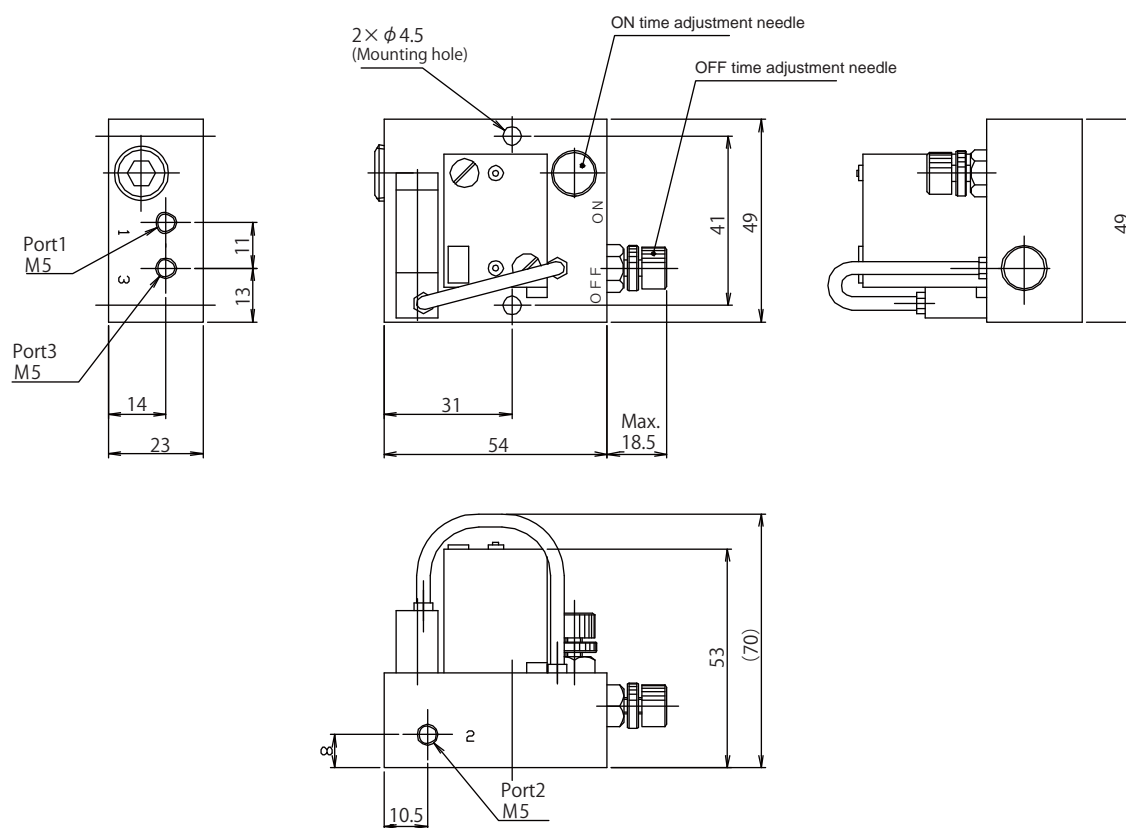
Note 3) Please note that supply air for port 1 should be more than 0.3MPa.

Note 4) Cable with e-CON connector (Model No. ASC-D24-CL10) will be ordered separately.

Dimensions

ASV200-AA-M5

Unit(mm)



《Piping》

Port 1 : Supply port (Compressor side)

Port 2 : Output port (Blow nozzle side)

Port 3 : Exhaust port*

*In order to keep out dust, the air muffler (Model No. SL-M5) is recommended for exhaust port.

Ordering Instructions

ASV200 - AA - M5

① ② ③

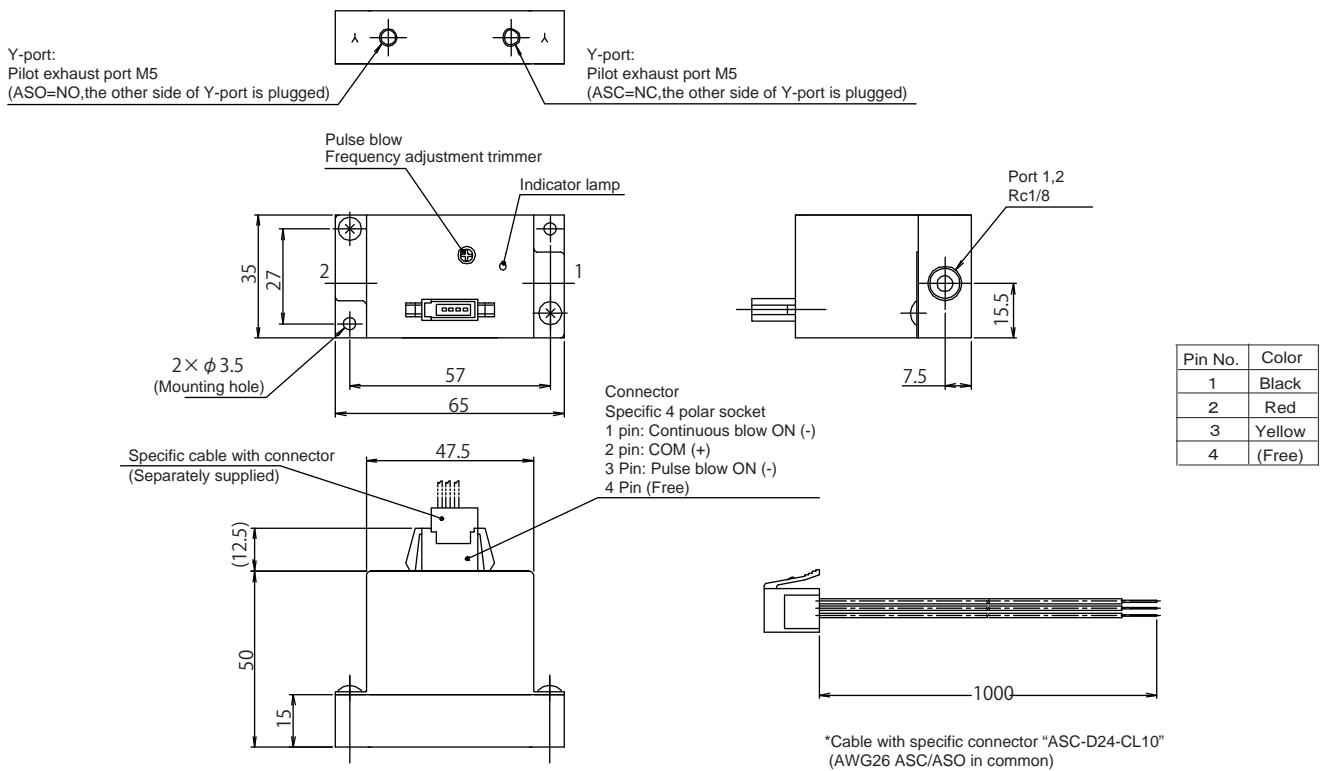
① Model No. ASV200 (Normal close, 2-position)

② Voltage/Wiring AA: All air (Electricity is not necessary)

③ Port size M5

Dimensions

ASC500-1W-01 / ASO500-1W-01



《Piping》

Port1: Supply port (Compressor side)

Port 2: Output port (Blow nozzle side)

Y port: Pilot exhaust port

*In order to avoid dust, air muffler is recommended to attach.

《Power distribution/Air output》

Continuous blow: Pin 1 (-), Pin 2 (+)

Ordering Instructions

ASC500 - 1W - 01

① ② ③

① Model No. ASC500: Normal close (2-position single solenoid)
 ASO500: Normal open (2-position single solenoid)

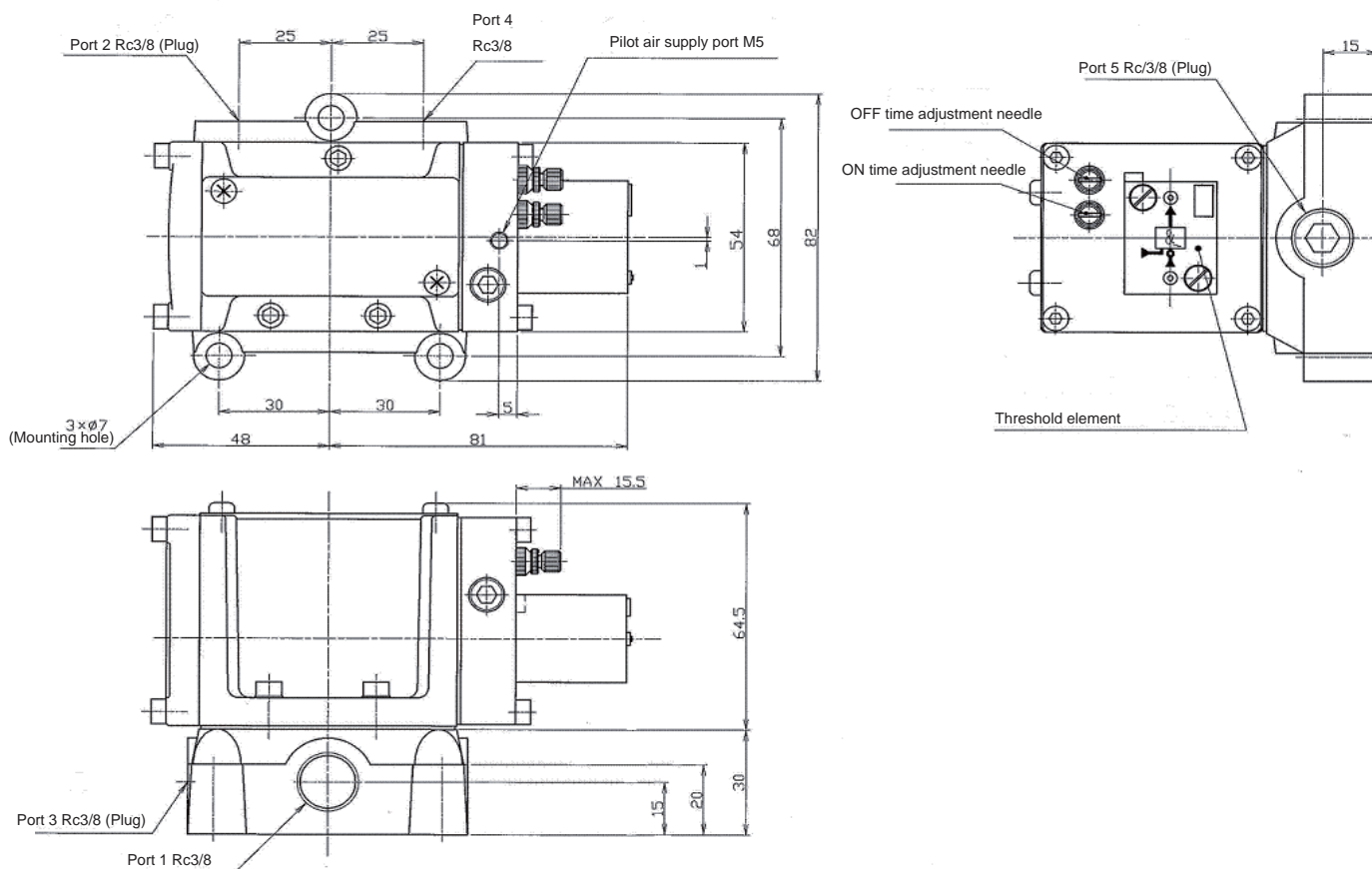
② Voltage/Wiring 1W: 24VDC, e-CON standard 4-polar socket

③ Port size 01: Rc1/8

Note: Cable with e-CON connector (Model No. ASC-D24-CL10) will be ordered separately.

Dimensions

ASV2000-AA-03



《Piping》

Port 1: Supply port (Compressor side)

Port 4: Output port (Blow nozzle side)

Pilot air supply port

Ordering Instructions

ASV2000 - AA - 03

① ② ③

① Model No. ASV2000: Normal close (2-position)

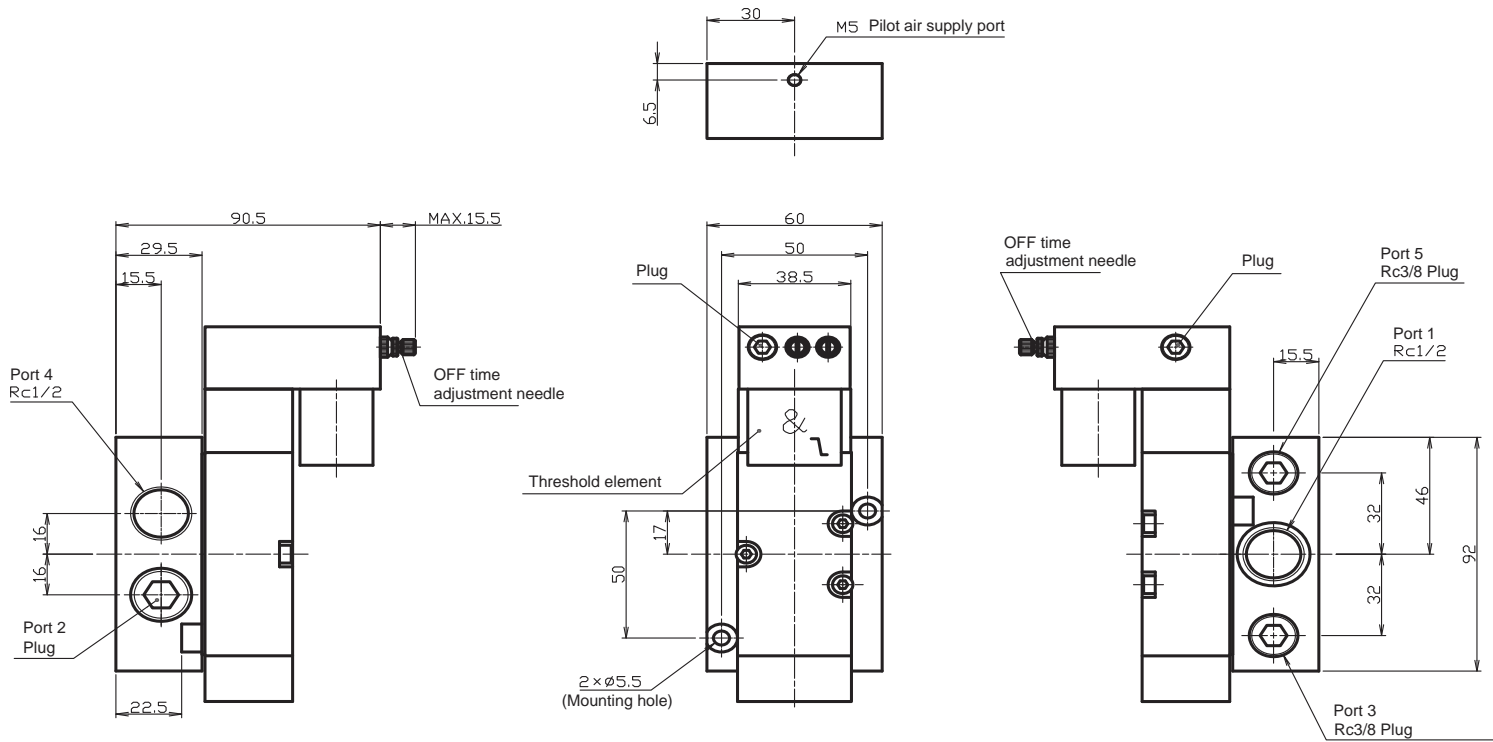
② Voltage/Wiring AA: All air (Electricity is not necessary)

③ Port size Normark: without sub-base
03 : Rc3/8

Dimensions

ASV5000-AA-04

Unit(mm)



《Piping》

Port 1: Supply port (Compressor side)

Port 4: Output port (Blow nozzle side)

Pilot air supply port

Ordering Instructions

ASV5000 - AA - 04

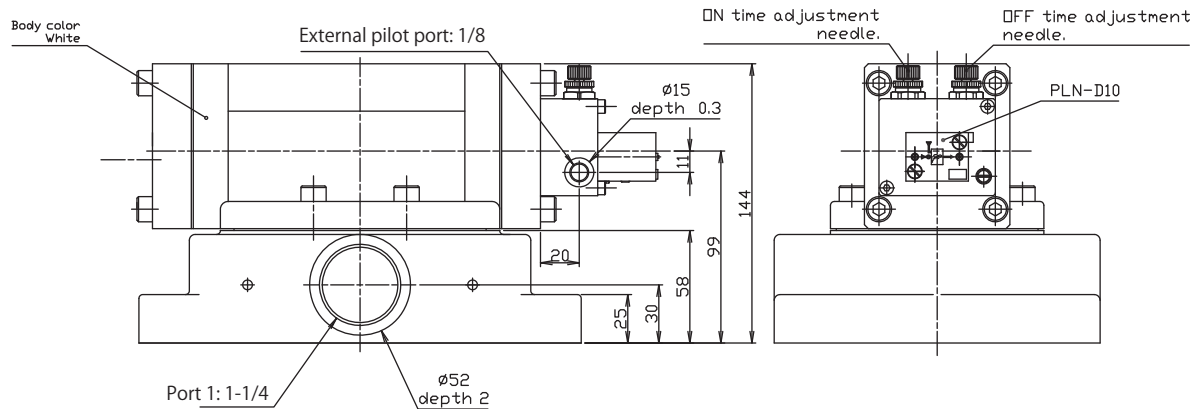
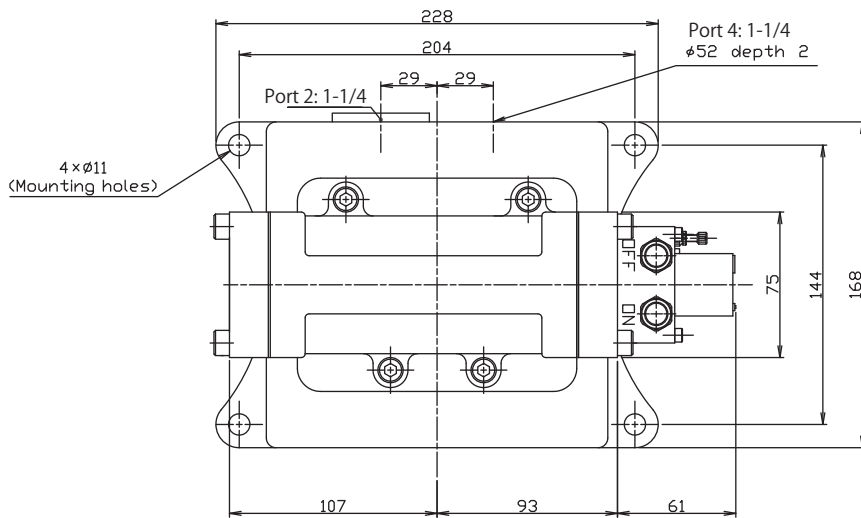
① ② ③

- ① Model No. ASV5000 (2-position, Single)
- ② Voltage/Wiring AA: All air (Electricity is not necessary)
- ③ Port size No mark: without sub-base
04 : Rc1/2

Dimensions

ASV15000-AA-32A

Unit(mm)



《Piping》

- Port 1 : Supply port (Compressor side)
- Port 2 : Output port (Blow nozzle side)
- Pilot air supply port

Ordering Instructions

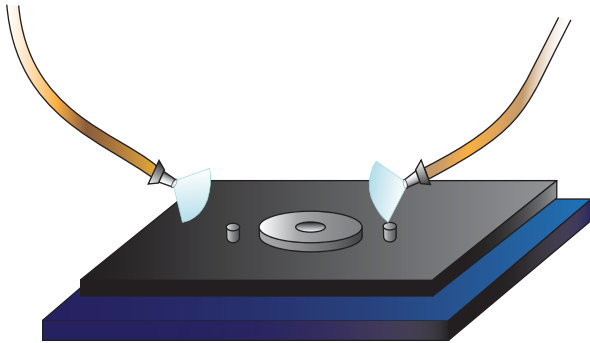
ASV15000 - AA - 32A

① ② ③

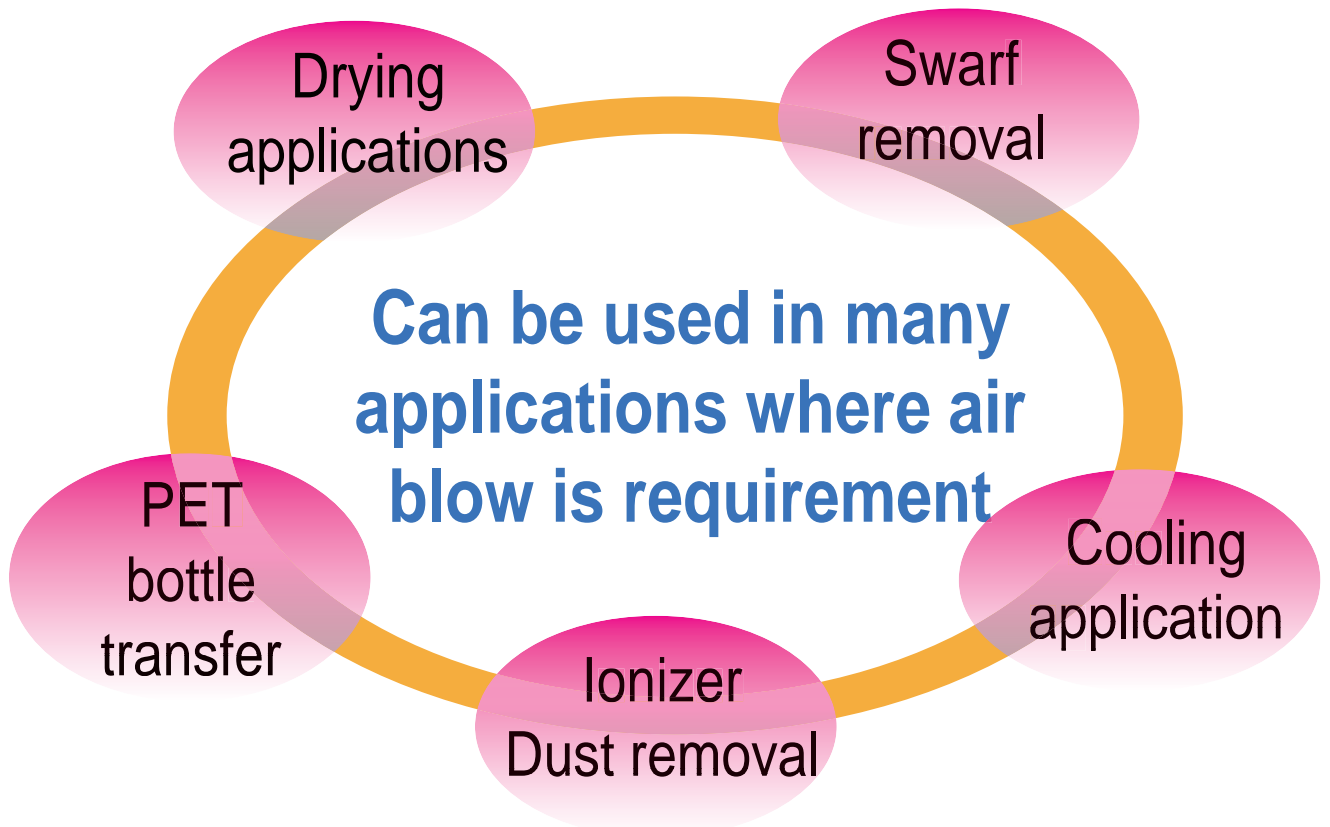
- ① Model No. ASV15000 : Normal close (2-position)
- ② Voltage/Wiring AA: All air (Electricity is not necessary)
- ③ Port size Normark: without sub-base
32A : Rc1 1/4

Applications

Cleaning blow before assembly



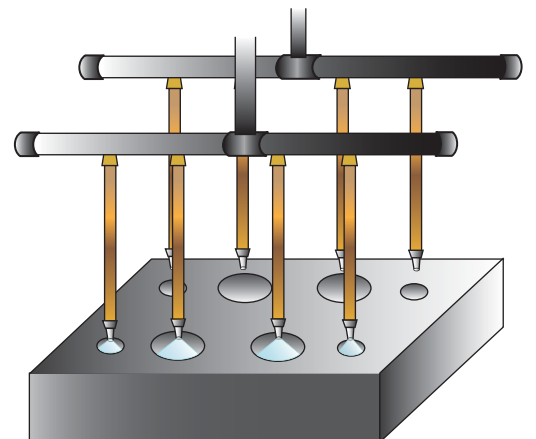
Swarf removal



Assist blow for PET bottle transfer



Liquid removal after the manufacturing process



Applications



Pneumatic Solutions Beverage and Bottle Plants

Process	Application	Advantage
Before blow molding PET bottles	<p>Pulse ionized blow by Air Saving Unit in order to remove particles before PET bottle are molded.</p>	Pulse ionized blow and its blast of each pulse increase to remove particles effectively.
After blow molding PET bottles	<p>Cleaning blow for particles that attach to the blow molded PET bottles</p>	Reducing about 40% of consumption air.
Conveying PET bottles	<p>Assisting blow to convey PET bottles.</p>	Reducing about 40% of consumption air.
	<p>Escape blow for PET bottles when the line is stopped.</p>	Reducing about 40% of consumption air.
	<p>Pulse ionized blow for PET bottles before pasting labels on them.</p>	Pulse blow and its blast of each pulse increase to remove particles effectively.
Printing machine	<p>Pulse ionized blow for bottles or caps before printing date on them.</p>	Pulse blow and its blast of each pulse increase to remove particles effectively.

Parker Worldwide

Europe, Middle East, Africa

AE – United Arab Emirates,
Dubai
Tel: +971 4 8127100
parker.me@parker.com

AT – Austria, Wiener Neustadt
Tel: +43 (0)2622 23501-0
parker.austria@parker.com

AT – Eastern Europe, Wiener
Neustadt
Tel: +43 (0)2622 23501 900
parker.easteurope@parker.com

AZ – Azerbaijan, Baku
Tel: +994 50 2233 458
parker.azerbaijan@parker.com

BE/LU – Belgium, Nivelles
Tel: +32 (0)67 280 900
parker.belgium@parker.com

BY – Belarus, Minsk
Tel: +375 17 209 9399
parker.belarus@parker.com

CH – Switzerland, Etoy
Tel: +41 (0)21 821 87 00
parker.switzerland@parker.com

CZ – Czech Republic, Klecany
Tel: +420 284 083 111
parker.czechrepublic@parker.com

DE – Germany, Kaarst
Tel: +49 (0)2131 4016 0
parker.germany@parker.com

DK – Denmark, Ballerup
Tel: +45 43 56 04 00
parker.denmark@parker.com

ES – Spain, Madrid
Tel: +34 902 330 001
parker.spain@parker.com

FI – Finland, Vantaa
Tel: +358 (0)20 753 2500
parker.finland@parker.com

FR – France, Contamine s/Arve
Tel: +33 (0)4 50 25 80 25
parker.france@parker.com

GR – Greece, Athens
Tel: +30 210 933 6450
parker.greece@parker.com

HU – Hungary, Budapest
Tel: +36 1 220 4155
parker.hungary@parker.com

IE – Ireland, Dublin
Tel: +353 (0)1 466 6370
parker.ireland@parker.com

IT – Italy, Corsico (MI)
Tel: +39 02 45 19 21
parker.italy@parker.com

KZ – Kazakhstan, Almaty
Tel: +7 7272 505 800
parker.easteurope@parker.com

NL – The Netherlands, Oldenzaal
Tel: +31 (0)541 585 000
parker.nl@parker.com

NO – Norway, Asker
Tel: +47 66 75 34 00
parker.norway@parker.com

PL – Poland, Warsaw
Tel: +48 (0)22 573 24 00
parker.poland@parker.com

PT – Portugal, Leca da Palmeira
Tel: +351 22 999 7360
parker.portugal@parker.com

RO – Romania, Bucharest
Tel: +40 21 252 1382
parker.romania@parker.com

RU – Russia, Moscow
Tel: +7 495 645-2156
parker.russia@parker.com

SE – Sweden, Spånga
Tel: +46 (0)8 59 79 50 00
parker.sweden@parker.com

SK – Slovakia, Banská Bystrica
Tel: +421 484 162 252
parker.slovakia@parker.com

SL – Slovenia, Novo Mesto
Tel: +386 7 337 6650
parker.slovenia@parker.com

TR – Turkey, Istanbul
Tel: +90 216 4997081
parker.turkey@parker.com

UA – Ukraine, Kiev
Tel: +380 44 494 2731
parker.ukraine@parker.com

UK – United Kingdom, Warwick
Tel: +44 (0)1926 317 878
parker.uk@parker.com

ZA – South Africa, Kempton Park
Tel: +27 (0)11 961 0700
parker.southafrica@parker.com

North America

CA – Canada, Milton, Ontario
Tel: +1 905 693 3000

US – USA, Cleveland
Tel: +1 216 896 3000

Asia Pacific

AU – Australia, Castle Hill
Tel: +61 (0)2-9634 7777

CN – China, Shanghai
Tel: +86 21 2899 5000

HK – Hong Kong
Tel: +852 2428 8008

IN – India, Mumbai
Tel: +91 22 6513 7081-85

JP – Japan, Chiba
Tel: +81 (0)45 479 64 2282
sales@kpl.parker.com

KR – South Korea, Seoul
Tel: +82 2 559 0400

MY – Malaysia, Shah Alam
Tel: +60 3 7849 0800

NZ – New Zealand, Mt Wellington
Tel: +64 9 574 1744

SG – Singapore
Tel: +65 6887 6300

TH – Thailand, Bangkok
Tel: +662 186 7000 99

TW – Taiwan, Taipei
Tel: +886 2 229 8 8987

ID – Indonesia, Tangerang
Tel: +62 21 7588 1906

VN – Vietnam, Ho Chi Minh
Tel: +84 3775 4651

South America

AR – Argentina, Buenos Aires
Tel: +54 3327 44 4129

BR – Brazil, Sao Jose dos Campos
Tel: +55 800 727 5374

CL – Chile, Santiago
Tel: +56 2 623 1216

MX – Mexico, Apodaca
Tel: +52 81 8156 6000

Kuroda Pneumatics LTD.

Customer Service
Phone +81-479-64-2282
FAX +81-479-64-2291
kpl_sales@parker.com

www.parkerkuroda.com

ENGINEERING YOUR SUCCESS.

